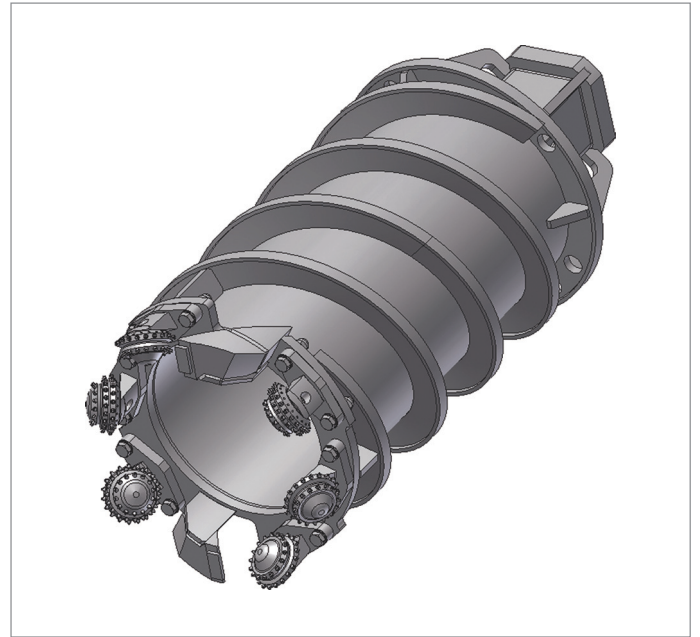
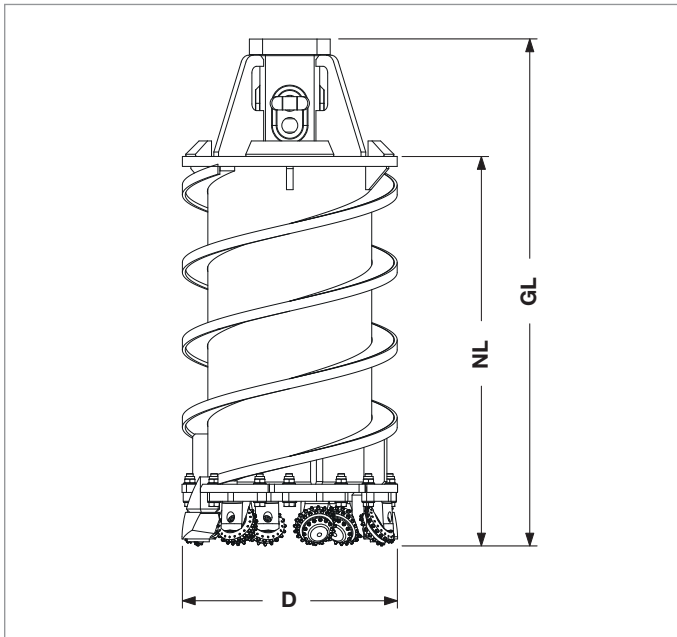


Core barrels

with roller bits

CB-RB

Technical data



D	NL	GL	No. of rollers	Weight
[mm]	[mm]	[mm]		[kg]
780	1700	2300	4	1470
900	1700	2300	6	1800
1080	1700	2300	8	2180
1390	1700	2300	8	2700

Other cutting diameters and effective lengths available on request.

Features

- VK 200 Kelly box made of heat-treated cast steel with two locking pins D 60 mm.
- Cutting ring with cone-shaped roller bits
- Exchangeable roller bits fitted with carbide tips

Application

Core barrels are used to cut an annular space. The remaining centre core is subsequently broken up and removed using a rock auger.

- Solid rock from 100 to 250 MPa.

Drill core



Core barrel RB

